

ENVIRONMENTAL SEPARATION

Rolling Counter Shutters

MODEL ESC10

Rolling counter shutters, also known as rolling counter doors, secure openings above counters and similar finished openings in interior or exterior walls using smaller (and more aesthetically pleasing) guides, slats, brackets and hoods than traditional rolling doors. Rolling counter shutters can fully close to the floor when compact door components are desired.

Counter Shutters: Model ESC10 (Pictured: Top & Center)

- + Built to order and fits specific dimensions up to 21' 4" W or up to 10' 4" H with 180 sq. ft. maximum coverage
- + Push-up and hand crank designs. Alternate designs for standard motor and tube motor operation available.
- + Use in masonry or drywall openings
- + Trim piece for between jamb guide mounted units available for enhanced aesthetics

OPTIONS & UPGRADES

ScreenGard™ (Perforated Curtain) Counter Shutters

- + Provide full security while offering airflow and visual access
- + Ideal for public space, corridors and storefront protection with visibility



ScreenGard™ Perforated Shutter Curtain

Graphic Counter Shutters

- + Durable, full color images or faux finishes powder coated to curtains, guides and hoods
- + Create an opportunity to advertise, generate sponsorships, educate, inform or add aesthetic interest



Graphic Counter Shutter



Full-height Application Shown

BENEFITS

- + Size flexibility: Built to order
- + Compact storage: Curtain stores in an overhead coil completely supported by side guides
- + Low life cycle cost: Rugged construction and commercial quality materials assure long life and little to no maintenance
- + Most counter shutters can be shipped within one to two weeks

APPLICATIONS

Service Openings In:

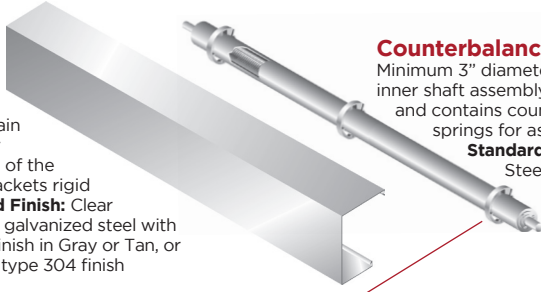
- + Cafeterias
- + Stadiums/Arenas
- + Hospitality/Public Spaces
- + Educational Facilities
- + Healthcare Facilities

CORNELL
Innovative door solutions.™

COMPONENTS

Hood

Protective and aesthetic sheet metal enclosure for the curtain that provides weather resistance at the head of the unit and keeps the brackets rigid
Standard Material and Finish: Clear anodized aluminum or galvanized steel with exclusive GalvaNex™ finish in Gray or Tan, or stainless steel with #4 type 304 finish



Counterbalance Shaft

Minimum 3" diameter outer shaft and 5/8" inner shaft assembly supports the curtain and contains counterbalance torsion springs for assisting operation
Standard Material & Finish: Steel

Brackets

Minimum 16 ga. steel plates that bolt to guide assembly and support the counterbalance shaft and curtain
Standard Material & Finish: steel, powder coated with Gray or Tan



Guides

Side rail assemblies that bolt to the wall and support the entire weight of the counter door unit
Standard Material & Finish: Two piece clear anodized extruded aluminum sections with polypropylene pile runners
Optional Materials: Stainless steel #4 type 304 finish or powder coated aluminum

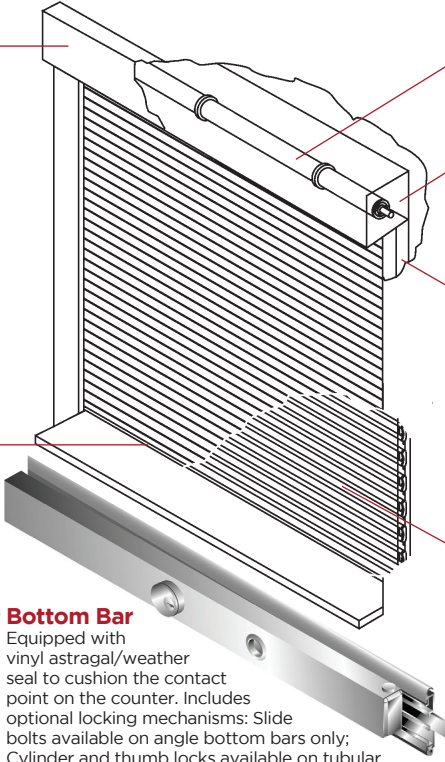


Bottom Bar

Equipped with vinyl astragal/weather seal to cushion the contact point on the counter. Includes optional locking mechanisms: Slide bolts available on angle bottom bars only; Cylinder and thumb locks available on tubular style bottom bars only. Note: Cylinder locking not available with tubular operators. Extruded tubular bottom bar shown above.
Standard Material & Finish: Clear anodized extruded aluminum for aluminum and galvanized curtains or stainless steel #4 finish for stainless steel curtains
Optional Material: Galvanized steel

Operation

Push-up operation shown. Hand crank and motors are available. Counter shutters operate by rotating the shaft gear end. The opposite end of shaft applies spring tension and is equipped with a spring adjusting wheel.



Curtain

Interlocking roll formed flat-faced 1 1/2" high slats with endlocks riveted to ends of alternate slats to maintain curtain alignment and prevent wear
Standard Material & Finish: .040" thick clear anodized aluminum or 22 ga. galvanized steel with exclusive GalvaNex™ finish in Gray or Tan or 22 ga. stainless steel with #4 type 304 finish



AVAILABLE OPTIONS

- + Cylinder, thumb turn or slide bolt locking
- + Sill angles
- + Fixed or removable mullions
- + Special corner mullions
- + 16 ga. extruded aluminum slat
- + Bottom bar sensing edge for motorized units
- + Operator covers for exterior mounted units or exposed operators below 8' 0" high

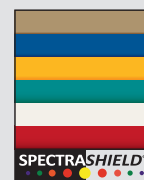
SPECIAL APPLICATIONS

- + **Countertops:** 14 ga. #4 finish stainless steel type 304 countertops available up to 11' 10" wide, 25 1/4" deep. Plastic laminate countertops are available up to 18' wide, 48" deep, in a range of standard laminates.
- + **Roll Top Enclosures:** For applications that require units to fully or partially cover horizontal openings with the use of curved tracks. Curtains can either coil or store horizontally out of the opening.
- + **Fixed Guide Mullions:** Provided to use multiple units side by side on wide openings using minimal track space
- + **Removable Guide Mullions:** Used for wide openings that require full access on a limited basis
- + **Corner Mullions:** Allow guides from two units to be mounted at 90° on a common tube utilizing an over/under coil setup
- + **Machine Guards:** ScreenGard™ or solid curtain counter door units may be mounted on machine frame assemblies to provide safety and easy access to machine components
- + **Dual Height Countertop Units:** Special counter door designs can accommodate openings with two different counter heights

OPTIONAL FINISHES

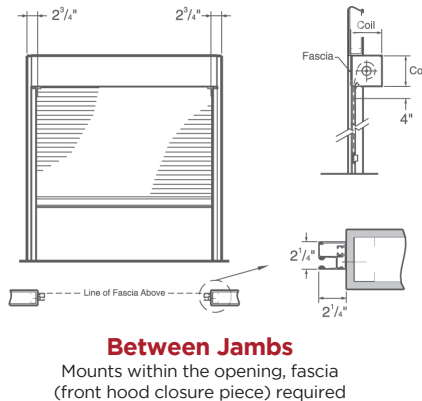
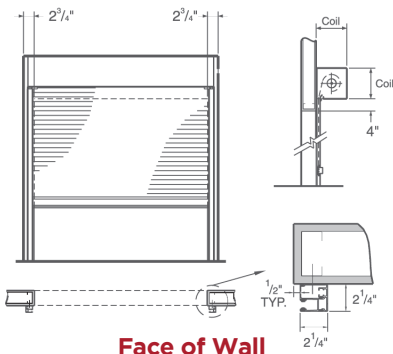
- + Aluminum with medium, dark or black anodized finish
- + Powder coat finish in selected color, custom graphic or faux finish
- + Zinc Rich Gray corrosion resistant powder coating
- + Hot-dip galvanizing on steel components

SPECTRASHIELD® POWDER COAT FINISH



Cornell's SpectraShield Powder Coat Finish in a choice of over 180 colors adds durability and aesthetic value. Surface preparation and coating process produces a smooth, lasting finish at controlled costs.

MOUNTING & CLEARANCES



Rolling Counter Shutters are built to order to fit openings up to 21' 4" wide or up to 10' 4" high with a maximum of 180 square feet. Coil sizes range from 8" to 14", depending on unit size, material and operation. Consult factory when coil size is critical.

CORNELL

Innovative door solutions™

CornellCookson, Inc.
 24 Elmwood Avenue, Mountain Top, PA 18707
 TEL 800.233.8366 • FAX 800.526.0841
 Architectural Design Support: Ext. 4551
Website: www.cornelliron.com
 Email: ADS@cornelliron.com

An ISO 9001:2008 Registered Company

12719 E Indiana Ave
 Spokane, WA 99216
 (509) 921-2260 • (509) 921-5099 Fax
 www.continentaldoorco.com

